

Messen
 Prüfen
 Kontrollieren
 Sortieren
 Positionieren
 Vollständigkeitskontrolle
 Vorhandenseinskontrolle
 Oberflächeninspektion
 Teileprüfung
 Werkzeugvoreinstellung
 3D Sehen
 3D Erkennung
 Robot Vision
 Markierungskontrolle
 Koplanarität
 BGA-Prüfung
 Konturprüfung
 Fehler- und Verschmutzungserkennung
 OCR / OCV
 Zeichenerkennung
 Code Lesen
 Faden- und Stoffprüfung
 Papier- und Folienprüfung
 Metallprüfung
 Displayprüfung LCD, LED, OLED
 Mustervergleich
 Blasenkontrolle
 Robotersteuerung
 Bohrer Vermessung
 Thermografie
 Plastik-Inspektion
 2D
 und vieles mehr...

Product data:

EyeSens BarCode VISION SENSOR



Description:

With the „BarCode“ command differen codes can be read, such as e.g.:

- 2/5 Interleaved and Code 39 or
- EAN 13, EAN 8, Code 128 etc.

In addition the quality of the code is evaluated and the characteristics determined.

The EyeSens BarCode Reader also has commands for image capture and overlay display.

For more information visit our website: www.evt-web.com.

Or contact us if you have any questions: **+49 (0) 721 668 004 23**



Sensor Models

Model	Resolution	Sensor	Focal length	Integrated illumination	Processor
ES BCR_0	736 x 480	1/3" CMOS	6, 12, 25 mm	LED: white, red or infrared	1 GHz
ES BCR_1	736 x 480	1/3" CMOS	C-Mount	none	1 GHz
ES BCR HR_0	1024 x 768	1/1,8" CMOS	12 mm	LED: white, red or infrared	1 GHz
ES BCR HR_1	1024 x 768	1/1,8" CMOS	C-Mount	none	1 GHz
ES BCR XHR_0	1280 x 1024	1/1,8" CMOS	12 mm	LED: white, red or infrared	1 GHz
ES BCR XHR_1	1280 x 1024	1/1,8" CMOS	C-Mount	none	1 GHz

Technical Data

EyeSens Vision Sensoren can include lens (6, 12 or 25 mm focal length) and lighting (8 LEDs).

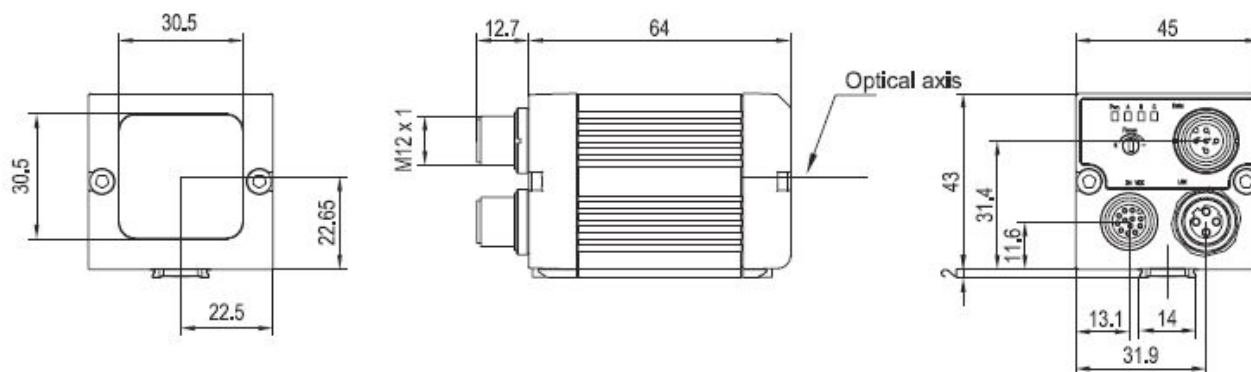
Electrical Data

Digital I/O	1/ 3 - 4 and additional 4 freely allocatable
Interface	Ethernet, RS232 or RS422
Max. output current	50 mA
Operating voltage	24V DC (- 25 % / + 10 %)

Mechanical Data

Dimensions (L x B x H)	65 x 45 x 45 mm
Weight	approx. 160 g
Connector	Supply and I/O M12 12-pin, Ethernet M12 4-pin, Data M12 5-pin
Housing	aluminium, plastic

Dimensions



Command set

	Image Acquisition		Object count BLOB		Script Interpreter		Overlay Arrow
	Asynchronous Image Acquisition		Check Input		Window		Overlay Circle
	Camera Control		Set Output		Rectangular edge detection		Overlay Cross
	Calibration		Display Register Values		Barcode Reader Standard		Overlay Line
	Stop watch		Global String				Overlay Square
	Program Flow Control		Image Transfer				
	Subroutine call		Image Information				
	Value evaluation		Point List				

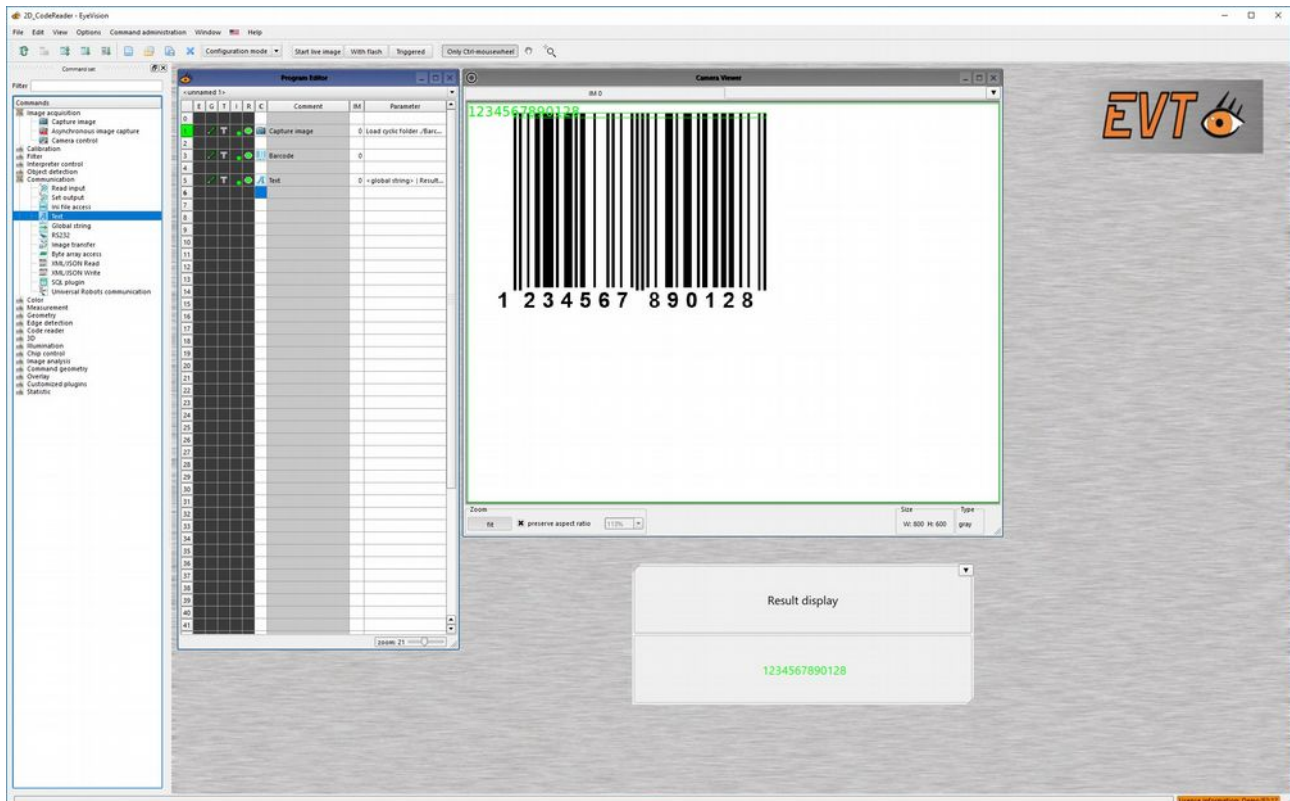
EyeVision Software

The drag-and-drop software with the graphical user interface.

Every EyeSens vision sensor contains the EyeVision software with a specially activated command set (see list above). This command set can be extended with any command out of the EyeVision command range.

The screenshot displays the EyeVision software interface. On the left is the 'Command Set' window with a tree view of various command categories. In the center is the 'Program Editor' window, which contains a table of commands for an 'Example Position Adjustment XY.dcp' file. On the right is a grayscale image of a barcode with the text 'EAN 13' above it and '487577' and '112850' below it.

E	G	T	I	R	B	Kommentar	IM	Parameter
0								
1	✓	T	✓	✓	✓	Stop watch	0	Reset stop watch
2	✓	T	✓	✓	✓	Reset Point list	0	Reset point list
3	✓	T	✓	✓	✓	Reset calibration	0	Set scaling factors in x 1
4								
5								
6	✓	T	✓	✓	✓	Load images	0	Load file Load image 1/18
7	✓	T	✓	✓	✓	copy IM1	0	Window: 0.0000 / 0.000
8	✓	T	✓	✓	✓	binarize	1	Window: 211.0000 / 150
9								
10	✓	T	✓	✓	✓	copy IM2	0	Window: 0.0000 / 0.000
11	✓	T	✓	✓	✓	blob IM 2	2	lower Threshold: 177up
12								
13	✓	T	✓	✓	✓	Mark Position adjustment	0	Mark Position adjustmet
						Find object		
15	✓	T	✓	✓	✓	Jump if NOK	0	Jump to Wrong number 1
17								
18								
19	✓	T	✓	✓	✓	Calibration	0	Define origin (Only x and y)
20								
21								
22	✓	T	✓	✓	✓	Mark Diameter 1	0	Mark Diameter 1
23	✓	T	✓	✓	✓	Reset Point list	0	Reset point list
24	✓	T	✓	✓	✓	Probe points(Circle probe)	0	-11.9125/2.5000 R: 8 11
25	✓	T	✓	✓	✓	Circle	0	Best fitting circle (Least 1
26	✓	T	✓	✓	✓	Evaluate diameter 1	0	Register index to be eva
27	✓	T	✓	✓	✓	Show result	0	Index: Position: 361/611
28								
29								



EyeSens Configuration Mode: bar code reading

Further EyeSens Vision Sensors:

- EyeSens ColorInspect
- EyeSens OCR Reader
- EyeSens Measure
- EyeSens Object Count
- EyeSens DMC
- EyeSens Match
- EyeSens Advanced DMC, BarCode, OCR
- EyeSens Advanced DMC, BarCode