

Messen

Prüfen

Kontrollieren

Sortieren

Positionieren

Vollständigkeitskontrolle

Vorhandenseinskontrolle

Oberflächeninspektion

Teileprüfung

Werkzeugvoreinstellung

3D Sehen

3D Erkennung

Robot Vision

Markierungskontrolle

Koplanarität

BGA-Prüfung

Konturprüfung

Fehler- und
Verschmutzungserkennung

OCR / OCV

Zeichenerkennung

Code Lesen

Faden- und Stoffprüfung

Papier- und Folienprüfung

Metallprüfung

Displayprüfung LCD, LED,
OLED

Mustervergleich

Blasenkontrolle

Robotersteuerung

Bohrer Vermessung

Thermografie

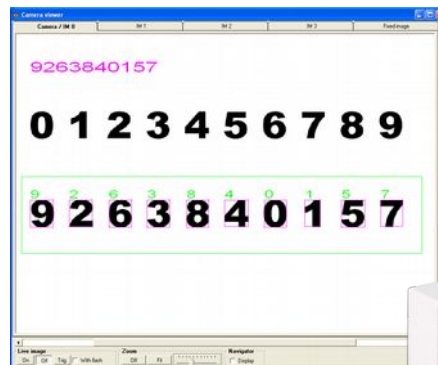
Plastik-Inspektion

2D

und vieles mehr...

Product Data:

EySense OCR



Description:

The best OCR solution!

The command set initialises a character chain. After the character separation and character recognition the character chain can be displayed.

All characters in the character chain are inspected according to the Quad-Tree-Method

Objects of a certain brightness are searched in a given window.

You can find more information on our website:

www.evt-web.com.

Or contact us if you have any questions: **+49 (0) 721 668 004 23 0**

Sensor Models

Model	Resolution	Sensor	Focal length	Integrated illumination	Processor
ES OCR_0	736 x 480	1/3" CMOS	6, 12, 25 mm	LED: white, red or infrared	1 GHz
ES OCR_1	736 x 480	1/3" CMOS	C-Mount	none	1 GHz
ES OCR HR_0	1024 x 768	1/1,8" CMOS	12 mm	LED: white, red or infrared	1 GHz
ES OCR HR_1	1024 x 768	1/1,8" CMOS	C-Mount	none	1 GHz
ES OCR XHR_0	1280 x 1024	1/1,8" CMOS	12 mm	LED: white, red or infrared	1 GHz
ES OCR XHR_1	1280 x 1024	1/1,8" CMOS	C-Mount	none	1 GHz

Technical Data

EyeSens Vision Sensoren can include lens (6, 12 or 25 mm focal length) and lighting (8 LEDs).

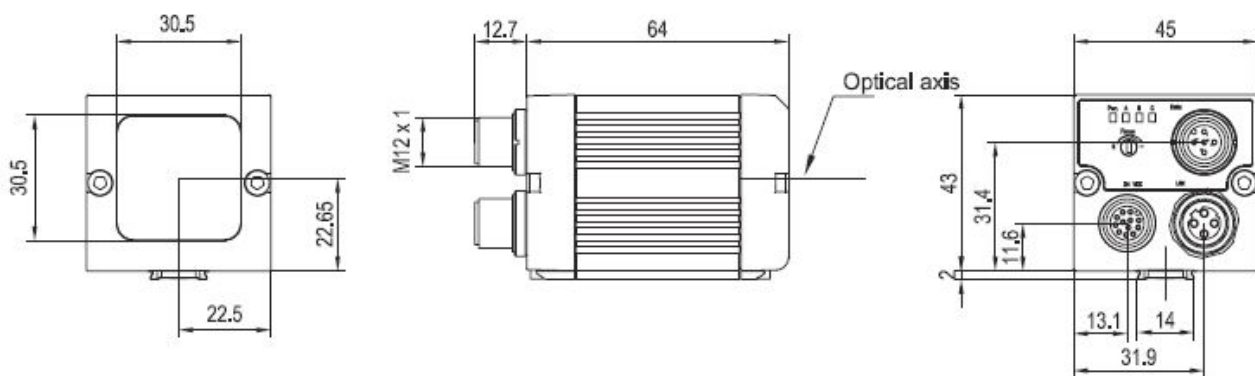
Electrical Data

Digital I/O	1/ 3 - 4 and additional 4 freely allocatable
Interface	Ethernet, RS232 or RS422
Max. output current	50 mA
Operating voltage	24V DC (- 25 % / + 10 %)

Mechanical Data

Dimensions (L x B x H)	65 x 45 x 45 mm
Weight	approx. 160 g
Connector	Supply and I/O M12 12-pin, Ethernet M12 4-pin, Data M12 5-pin
Housing	aluminium, plastic

Dimensions



Command Set

	Image Acquisition		Script Interpreter		Window		Overlay Arrow
	Asynchronous Image Acquisition		Check Input		Rectangular edge detection		Overlay Circle
	Camera Control		Set Output		OCR Control		Overlay Cross
	Calibration		Display Register Values		OCR Character Separation		Overlay Line
	Stop watch		Global String		OCR Character Separation edge		Overlay Square
	Program Flow Control		Image Transfer		OCR Recognition		
	Subroutine call		Image Information				
	Value evaluation		Point List				

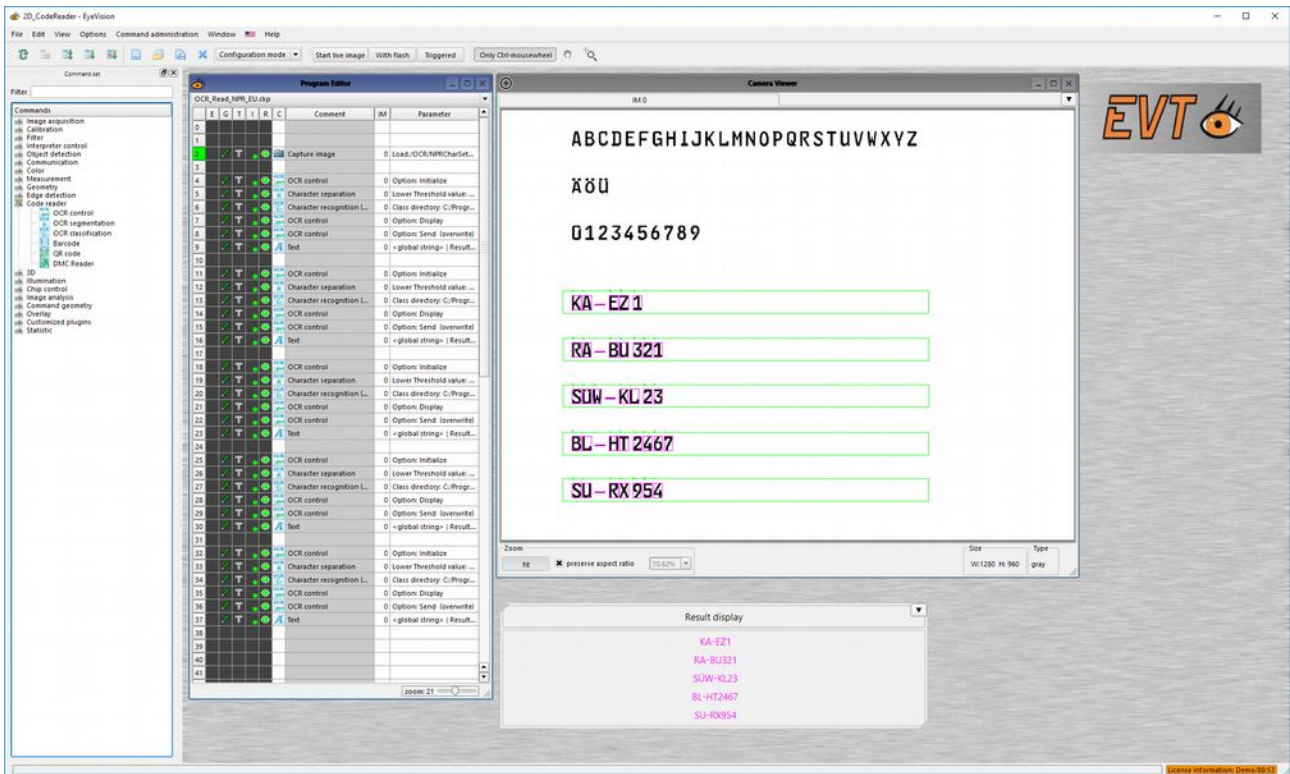
EyeVision Software

The drag-and-drop software with the graphical user interface.

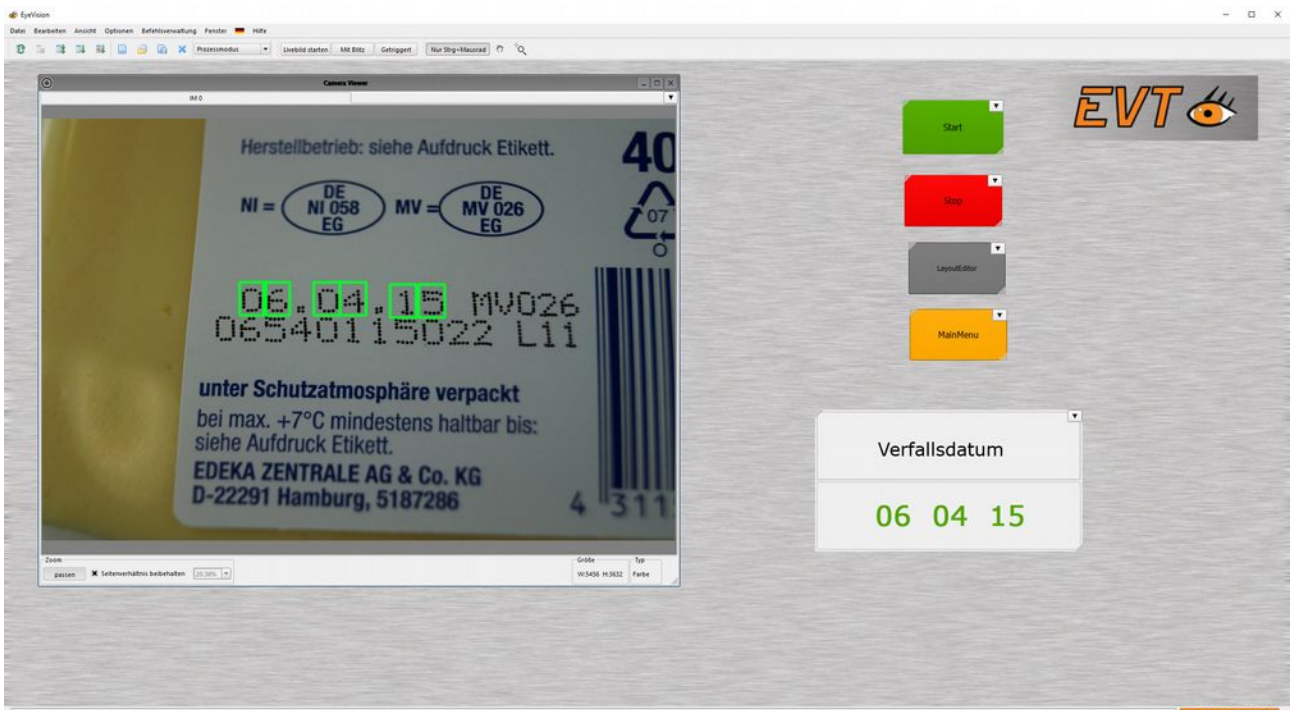
Every EyeSens vision sensor contains the EyeVision software with a specially activated command set (see list above). This command set can be extended with any command out of the EyeVision command range.

The screenshot displays the EyeVision software interface. On the left is the 'Command Set' window with a tree view of various commands. In the center is the 'Program Editor' window showing a sequence of commands in a table format. On the right is the 'Camera Viewer' window showing a digit recognition result.

E	G	T	I	R	B	Kommentar	IM	Parameter
0								
1	✓	T	✓	✓	✓	Stop watch	0	Reset stop watch
2	✓	T	✓	✓	✓	Reset Point list	0	Reset point list
3	✓	T	✓	✓	✓	Reset calibration	0	Set scaling factors in x,y
4								
5								
6	✓	T	✓	✓	✓	Load images	0	Load file Load image 1.tif
7	✓	T	✓	✓	✓	copy IM1	0	Window: 0.0000 / 0.0000
8	✓	T	✓	✓	✓	binarize	1	Window: 211.0000 / 150.0000
9								
10	✓	T	✓	✓	✓	copy IM2	0	Window: 0.0000 / 0.0000
11	✓	T	✓	✓	✓	blob IM 2	2	lower Threshold: 17.0000
12								
13	✓	T	✓	✓	✓	Mark Position adjust		
14	✓	T	✓	✓	✓	Find object		
15								
16	✓	T	✓	✓	✓	Jump if NOK	0	Jump to Wlang number 1
17								
18								
19	✓	T	✓	✓	✓	Calibration	0	Define origin (Only x and y)
20								
21								
22	✓	T	✓	✓	✓	Mark Diameter 1	0	Mark Diameter 1
23	✓	T	✓	✓	✓	Reset Point list	0	Reset point list
24	✓	T	✓	✓	✓	Probe points(Circle probe)	0	-11.9125/2.5000 R: 8.11
25	✓	T	✓	✓	✓	Circle	0	Best fitting circle (Least I)
26	✓	T	✓	✓	✓	Evaluate diameter 1	0	Register index to be eval
27	✓	T	✓	✓	✓	Show result	0	Index: Position: 361/671
28								
29								



EyeVision Configuration Mode: license plate recognition



EyeVision Process Mode: expiration date inspection